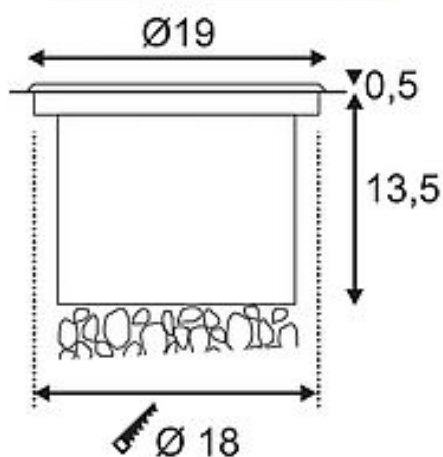




ADJUST 190

outdoor inground fitting, QR111, IP67, square, stainless steel 304, max. 50W



Article number	227092
Feed-in capability	No
Lampholder / Socket	G53
Number of light sources	1
Lamp included	No
Installation diameter	18 cm
Installation depth	14 cm
Tilt range	20 Degree
Rotation range	90 Degree
Length	19 cm
Width	19 cm
Depth	13.5 cm
Net weight	2.423 kg
Gross weight	2.597 kg
Voltage	12V AC
Max. wattage	50 Watt
Protection class	I
Energy efficiency class	A+
Way of mounting	Recessed mounted / Inground
Lamp	QR111
Form	square
Light distribution type 1	direct

Walkable, low-voltage recessed ground luminaire with square stainless steel cover and partially frosted glass. Rated IP67, it is suitable for outdoor use. To ensure accurate illumination, the lamp is adjustable. The electrical connection is made directly to 230V mains supply via the incorporated transformer. For simplified mounting, an installation housing is included. This luminaire is compatible with bulbs of the energy classes: D - A+

Notes
